

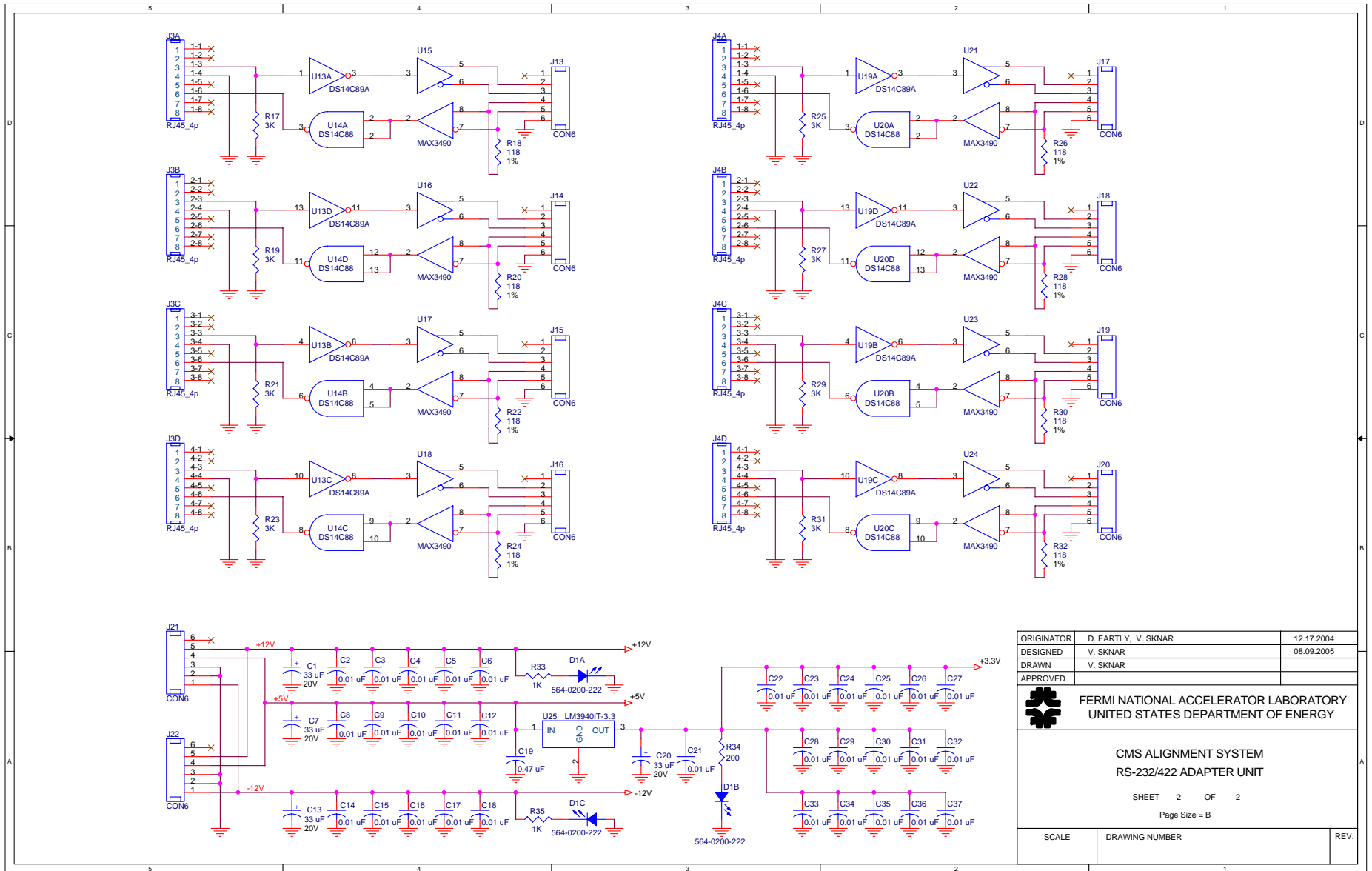
ORIGINATOR	D. EARTLY, V. SKNAR	12.17.2004
DESIGNED	V. SKNAR	08.09.2005
DRAWN	V. SKNAR	
APPROVED		




CMS ALIGNMENT SYSTEM
RS-232/422 ADAPTER UNIT

SHEET 1 OF 2
Page Size = B

SCALE	DRAWING NUMBER	REV.
-------	----------------	------



ORIGINATOR	D. EARTLY, V. SKNAR	12.17.2004
DESIGNED	V. SKNAR	08.09.2005
DRAWN	V. SKNAR	
APPROVED		
 FERMI NATIONAL ACCELERATOR LABORATORY UNITED STATES DEPARTMENT OF ENERGY		
CMS ALIGNMENT SYSTEM RS-232/422 ADAPTER UNIT		
SHEET 2 OF 2 Page Size = B		
SCALE	DRAWING NUMBER	REV.